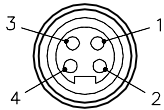


S1, S2 CONNECTORS

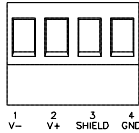


- 1 = - VOLTAGE
- 2 = + VOLTAGE
- 3 = SHIELD
- 4 = GROUND



FOUNDATION™
fieldbus

TERMINAL BLOCK PLUGS

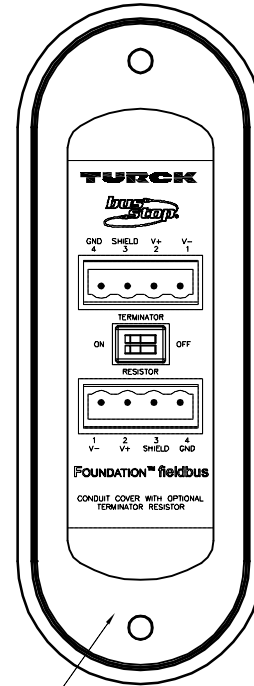
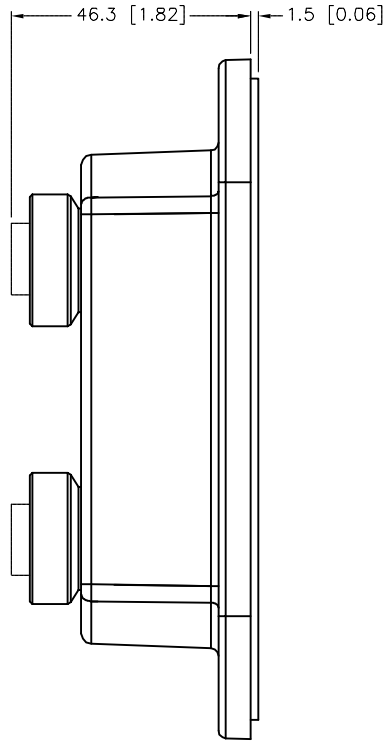
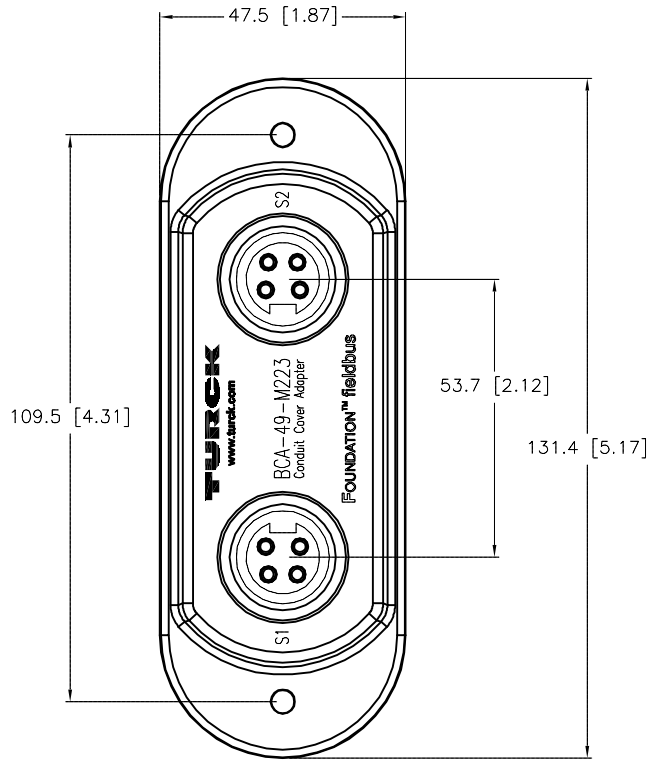


- 1 = - VOLTAGE
- 2 = + VOLTAGE
- 3 = SHIELD
- 4 = GROUND

FOUNDATION™
fieldbus

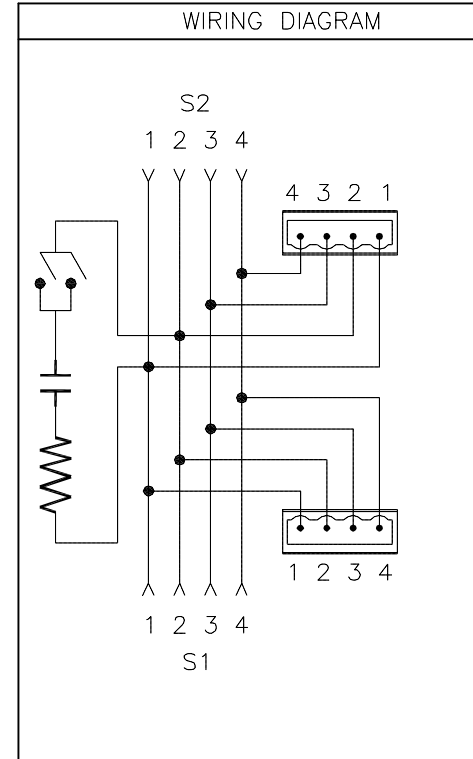
SPECIFICATIONS

HOUSING MATERIAL/COLOR	NYLON 66 - 33% GLASS FILLED/BLACK
RECEPTACLE HOUSING MATERIAL/FINISH	STAINLESS STEEL/PASSIVATED
CONTACT CARRIERS/COLOR	TPU/BLACK
CONTACT MATERIAL/PLATING	BRASS/GOLD
OPERATING VOLTAGE	300 V
OPERATING CURRENT	9.0 A PER CONDUCTOR
OPTIONAL TERMINATOR RESISTOR	1 OF 2 SWITCHES IN "ON" POSITION
PROTECTION CLASS to DIN 40050	IP 67 - ONLY WHEN ALL RECEPTACLES ARE COVERED WITH PLUGS OR CONNECTED
OPERATING TEMPERATURE	-40°C to +70°C (-40°F to +158°F)

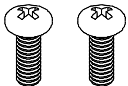


SEALING GASKET

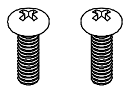
WIRING DIAGRAM



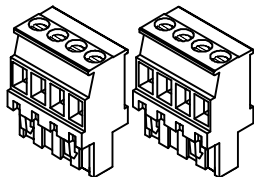
COVER SCREWS INCLUDED



FORM 8 CONDUIT BODIES:
10-24 SCREWS



MARK 9 CONDUIT BODIES:
8-32 SCREWS



TERMINAL PLUGS INCLUDED

SOURCE DRAWING - FOR REFERENCE ONLY

RELATED DOCUMENTS 1. 2. 3. 4.	3RD ANGLE PROJECTION 	THIS DRAWING IS CONFIDENTIAL AND THE PROPERTY OF TURCK INC. USE OF THIS DOCUMENT WITHOUT WRITTEN PERMISSION IS PROHIBITED.		3000 CAMPUS DRIVE MINNEAPOLIS, MN 55441 1-800-544-7769 (763) 553-7300 (763) 553-0708 fax turck.com	
		MATERIAL	DRFT DF	DATE 06/11/01	DESCRIPTION BCA-49-M223
FINISH	ALL DIMENSIONS DISPLAYED ON THIS DRAWING ARE FOR REFERENCE ONLY CONTACT TURCK FOR MORE INFORMATION	APVD DF	SCALE 1=1.5	IDENTIFICATION NO. U7884	
		UNIT OF MEASUREMENT MILLIMETER [INCH]		REV F	
F ADD THICKER GASKET		RDS 09/12/13 42993		FILE: U7884	
REV	DESCRIPTION	BY	DATE	ECO NO.	SHEET 1 OF 1

DO NOT SCALE THIS DRAWING